

Technical Data Sheet

CODE 11933

VORT HR 250 NETI

Wall-mounting residential heat recovery unit



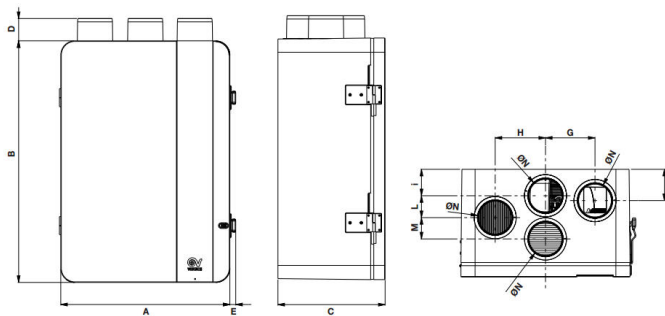
Certifications



TECHNICAL AND PERFORMANCE DATA

Absorbed Current max (A)	0.75	Delivery max (l/s)	61
Absorbed Power max (W)	95	Delivery max (m ³ /h)	220
Filter class	G4 M5	Maximum thermal efficiency (%)	88%
Frequency (Hz)	50	Pressure max (mmH2O)	54
Insulation Class	I°	Pressure max (Pa)	530
IP	X2	Sound power level - radiated Lw [dB(A)]	
Max ambient temperature for continuous operation (°C)	25	Sound power level exhaust inlet Lw [dB(A)]	
Max Temperature of Exhaust Air (Continuous Operation)	40	Sound power level supply outlet Lw [dB(A)]	
Min ambient temperature for continuous operation (°C)	0	Sound pressure level air extraction Lp [dB (A)] 3m - max speed	14.7
Voltage (V)	230	Sound pressure level air supply Lp [dB (A)] 3m - max speed	18.7
Weight (Kg)	17	Sound pressure level radiated Lp [dB (A)] 3m - max speed	35.9

DIMENSIONS



Models	Code	A	B	C	D	E	F	G	H	I	L	M	Ø N
VORT HR 250 NETI	11933	598	850	380	80	21	110	175	178	93	77	75	125

Technical Data Sheet

CODE 11933

VORT HR 250 NETI

Wall-mounting residential heat recovery unit



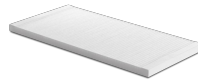
DESCRIPTION

- Plastic (PPE) enclosure
- Duct connection ports of nominal diameter 125 mm.
- 2 EC (brushless) motors with shaft turning in ball bearings, each coupled to a backward curved centrifugal impeller; 3 speeds, selectable independently at the moment of installation.
- Very high-efficiency counter-flow heat exchanger in PS resin.
- Automatic, filtered 100% by-pass
- Integrated frost protection.
- 1 X G4 1 X,M5 filters
- Electronic control with LCD display.
- Brackets for wall mounting included.

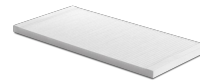
ACCESSORIES



C PIR
Code 12998



FILTER G4 NETI
Code 21116



FILTER M5 NETI
Code 21117