

DUCT•IN



JETFLOW HIT

Centrifugal Inline Fan



DUCT•IN

HVAC SOLUTIONS SUPPLIER

JETFLOW HIT

Product Overview

- 7 standard sizes from 100mm to 315mm
- Air volume flow rates up to 0.34 m³/s
- Static pressures up to 484 Pa
- Suitable for operating temperatures up to +50°C
- Available in **AC**



All metal in-line centrifugal fans which are ideally suited to a wide range of commercial and industrial applications. They provide the ideal solution for high performance requirements in low airflow, medium pressure systems.

Easy Installation

All models are designed for direct connection to standard diameter flexible or rigid circular ducting with 25mm long spigots for ease of connection. The integral mounting bracket provides a fast, simple approach to fixing the fan in position.

Space Saving

A compact casing design, combined with high performance makes the product ideal for ceiling void mounting.

Efficient Performance

The single inlet, single width backward curved centrifugal impeller is designed to be non overloading and self cleaning ensuring efficiency.

Warranty

Each HIT has a 12 month warranty.

Construction

Casings have a galvanised pressed sheet steel construction, providing a robust, long lasting and corrosion resistant casing. All HIT units are supplied complete with integral mounting brackets manufactured from galvanised sheet steel for horizontal or vertical mounting arrangements.

Motor

Motors have sealed for life ball bearings to enable the fan to be mounted at any angle. They are protected to IP44 with Class F insulation; suitable for speed control and ambient operating temperatures up to +50°C with built in thermal overload protection. Non self-resetting thermal cut-outs are fitted in accordance with EN60335-2-80. Motors are wound for 230V/1Ph/50Hz/60Hz supply.

Impeller

All impellers are single inlet backward curved centrifugal type. Impellers are balanced to ISO 14694 Grade G6.3.

Typical Applications

- Toilets
- Café
- Entrance Halls
- Duct Ventilation Boost
- Bathrooms
- Equipment Cooling
- Air Curtain Supply
- Restaurants

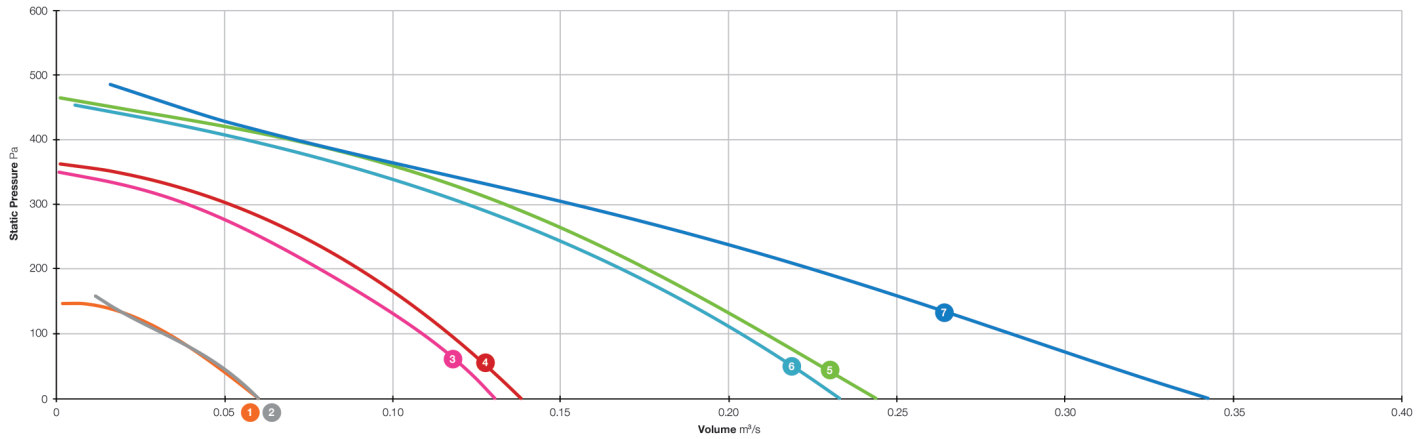
Contents

Page	Information
3	Performance Range Curves
4	Performance, SFP & Electrical Data
5	Sound Data
6	Dimensional Data
7	EcoDesign 1253/2014
8	Accessories
18	Notes

JETFLOW HIT



Performance Range Curves



1 029-007580 (HIT-100 2018)

2 029-007578 (HIT-125 2018)

3 HIT-150 (HIT-150 2018)

4 029-007414 (HIT-160 2018)

5 029-007133 (HIT-200 2018)

6 029-007667 (HIT-250 2018)

7 029-007581 (HIT-315 2018)

JETFLOW HIT



Performance, SFP & Electrical Data

Single Phase 220V to 240V / 50Hz

Product Code	Description	Speed r/min	Airflow SFP	Airflow m³/s @ Static Pressure Pa												At Best Efficiency Point		Electrical Data		dBA @ 3m
				0	25	50	75	100	150	200	250	300	350	400	Overall Eff %	Input kW	Peak Amps			
029-007580	HIT-100 (2018)	2725	m³/s	0.060	0.053	0.047	0.040	0.033	-	-	-	-	-	-	13.5	0.025	0.14	Inlet	42	
			W/(L/s)	0.42	0.47	0.53	0.61	0.73	-	-	-	-	-	-				Outlet	37	
029-007578	HIT-125 (2018)	2690	m³/s	0.059	0.054	0.048	0.041	0.031	0.014	-	-	-	-	-	12.6	0.026	0.14	Inlet	43	
			W/(L/s)	0.43	0.47	0.53	0.62	0.80	1.79	-	-	-	-	-				Outlet	38	
HIT-150	HIT-150 (2018)	2595	m³/s	0.130	0.125	0.120	0.115	0.108	0.094	0.078	0.060	0.039	0.001	-	25.2	0.062	0.28	Inlet	52	
			W/(L/s)	0.49	0.52	0.53	0.55	0.56	0.62	0.70	0.85	1.20	44.13	-				Outlet	50	
		2300	m³/s	0.112	0.108	0.101	0.092	0.081	0.065	0.051	0.036	0.015	-	-	20.3	0.051	0.26	Inlet	49	
			W/(L/s)	0.48	0.52	0.55	0.59	0.64	0.75	0.86	1.08	2.15	-	-				Outlet	47	
		2120	m³/s	0.090	0.081	0.065	0.055	0.049	0.038	0.029	0.017	-	-	-	13.0	0.045	0.25	Inlet	46	
			W/(L/s)	0.59	0.67	0.85	0.97	1.04	1.21	1.43	2.06	-	-	-				Outlet	44	
029-007414	HIT-160 (2018)	2700	m³/s	0.138	0.133	0.128	0.122	0.116	0.104	0.090	0.073	0.051	0.017	-	33.6	0.055	0.24	Inlet	46	
			W/(L/s)	0.37	0.41	0.43	0.45	0.46	0.48	0.51	0.56	0.70	1.99	-				Outlet	45	
		2370	m³/s	0.121	0.117	0.111	0.104	0.094	0.075	0.057	0.041	0.021	-	-	22.3	0.051	0.23	Inlet	43	
			W/(L/s)	0.41	0.45	0.48	0.52	0.55	0.66	0.77	0.95	1.58	-	-				Outlet	42	
		2715	m³/s	0.112	0.106	0.097	0.084	0.071	0.052	0.039	0.027	0.012	-	-	16.2	0.043	0.24	Inlet	40	
			W/(L/s)	0.44	0.49	0.55	0.64	0.75	0.96	1.15	1.44	2.67	-	-				Outlet	40	
029-007133	HIT-200 (2018)	2565	m³/s	0.243	0.235	0.227	0.218	0.210	0.193	0.175	0.155	0.133	0.106	0.070	38.4	0.104	0.46	Inlet	46	
			W/(L/s)	0.39	0.43	0.46	0.48	0.48	0.50	0.51	0.51	0.51	0.63	0.96				Outlet	45	
		2395	m³/s	0.225	0.217	0.208	0.199	0.188	0.166	0.141	0.117	0.091	0.065	0.036	30.8	0.088	0.43	Inlet	44	
			W/(L/s)	0.34	0.45	0.50	0.52	0.50	0.50	0.51	0.57	0.73	1.03	1.89				Outlet	43	
		2100	m³/s	0.206	0.199	0.190	0.179	0.164	0.132	0.104	0.078	0.053	0.030	0.013	22.4	0.092	0.43	Inlet	42	
			W/(L/s)	0.42	0.46	0.50	0.53	0.56	0.67	0.78	0.91	1.05	1.59	3.66				Outlet	41	
029-007667	HIT-250 (2018)	2555	m³/s	0.232	0.225	0.218	0.211	0.203	0.186	0.168	0.146	0.122	0.092	0.056	35.3	0.105	0.48	Inlet	47	
			W/(L/s)	0.42	0.46	0.48	0.50	0.51	0.53	0.55	0.57	0.62	0.79	1.31				Outlet	46	
		2295	m³/s	0.216	0.208	0.199	0.189	0.179	0.156	0.131	0.104	0.077	0.049	0.018	26.5	0.100	0.45	Inlet	44	
			W/(L/s)	0.43	0.47	0.51	0.53	0.55	0.60	0.67	0.75	0.88	1.29	3.42				Outlet	43	
		2115	m³/s	0.204	0.194	0.184	0.172	0.158	0.127	0.099	0.075	0.052	0.030	-	20.2	0.099	0.44	Inlet	43	
			W/(L/s)	0.45	0.49	0.54	0.58	0.62	0.74	0.88	1.04	1.25	1.98	-				Outlet	41	
029-007581	HIT-315 (2018)	2190	m³/s	0.342	0.327	0.312	0.297	0.283	0.254	0.224	0.190	0.153	0.111	0.070	30.6	0.156	0.69	Inlet	46	
			W/(L/s)	0.42	0.46	0.49	0.52	0.55	0.61	0.66	0.72	0.80	1.02	1.61				Outlet	47	
		1965	m³/s	0.323	0.301	0.283	0.266	0.250	0.215	0.175	0.127	0.082	0.051	0.030	24.5	0.144	0.66	Inlet	44	
			W/(L/s)	0.40	0.45	0.49	0.54	0.58	0.66	0.78	0.99	1.33	1.94	3.32				Outlet	44	
		1785	m³/s	0.299	0.284	0.267	0.246	0.220	0.163	0.118	0.085	0.060	0.040	0.023	17.6	0.139	0.64	Inlet	42	
			W/(L/s)	0.42	0.46	0.51	0.57	0.63	0.84	1.10	1.37	1.64	2.17	3.77				Outlet	43	

Data provided is at standard air density of 1.2 kg/m³.

Data in accordance with ErP 1253/2014 of the European Parliament. Product category is NRUV. Measurement category used to determine energy efficiency: C.

Peak Amps @ 230V / 1PH / 50Hz.

The overall A-weighted sound pressure level is at a distance of 3m with spherical free-field propagation. It is expressed in dB re-20µPa and is presented for comparative purposes only.

JETFLOW HIT



Sound Data

Single Phase 220V to 240V / 50Hz

Product Code	Description	Speed r/min		Sound Power Level dBW @ Octave Band Hz								Total dB
				63Hz	125Hz	250Hz	500Hz	1kHz	2kHz	4kHz	8kHz	
029-007580	HIT-100 (2018)	2725	Inlet	65	68	65	62	55	47	36	27	72
			Outlet	64	63	62	54	50	43	37	26	68
029-007578	HIT-125 (2018)	2690	Inlet	67	70	68	62	54	47	39	29	74
			Outlet	73	65	63	55	49	42	34	25	74
HIT-150	HIT-150 (2018)	2595	Inlet	75	82	74	72	64	61	54	49	84
			Outlet	74	81	74	64	64	60	52	47	83
		2300	Inlet	73	79	70	69	61	58	50	44	81
			Outlet	72	80	70	61	60	56	47	42	81
		2120	Inlet	70	76	67	66	57	54	46	40	78
			Outlet	70	77	66	57	56	52	41	37	78
029-007414	HIT-160 (2018)	2700	Inlet	68	66	65	65	60	60	55	46	73
			Outlet	74	65	62	61	60	60	54	45	75
		2370	Inlet	64	64	63	61	56	57	49	39	70
			Outlet	63	65	60	57	57	57	49	37	69
		2715	Inlet	64	65	60	59	53	53	43	33	69
			Outlet	64	63	58	56	54	56	47	36	68
029-007133	HIT-200 (2018)	2565	Inlet	72	71	69	65	60	56	50	50	76
			Outlet	72	71	66	62	59	57	53	53	76
		2395	Inlet	70	72	66	63	57	54	47	45	75
			Outlet	70	70	65	59	57	54	50	50	74
		2100	Inlet	72	69	66	61	55	51	45	40	75
			Outlet	69	69	64	58	54	52	48	47	73
029-007667	HIT-250 (2018)	2555	Inlet	68	75	69	64	61	57	51	48	77
			Outlet	72	72	71	60	59	57	50	50	77
		2295	Inlet	69	73	66	62	58	55	48	45	75
			Outlet	71	70	66	59	57	55	48	45	75
		2115	Inlet	67	71	66	60	56	53	48	44	74
			Outlet	70	69	66	56	54	52	45	41	74
029-007581	HIT-315 (2018)	2190	Inlet	80	72	70	64	60	53	50	51	81
			Outlet	77	77	71	62	61	58	53	53	81
		1965	Inlet	76	70	69	61	56	48	50	47	78
			Outlet	76	72	67	58	58	54	51	51	78
		1785	Inlet	76	70	65	59	54	50	53	43	77
			Outlet	76	73	64	57	55	53	53	46	78

Data provided at standard air density of 1.2 kg/m³.
 Tests and preparation of the sound data have been carried out in accordance with BS 848 Part 2:1985 at 50% peak pressure.
 The Sound Power Level Spectra are in dB re-1pW.

JETFLOW HIT

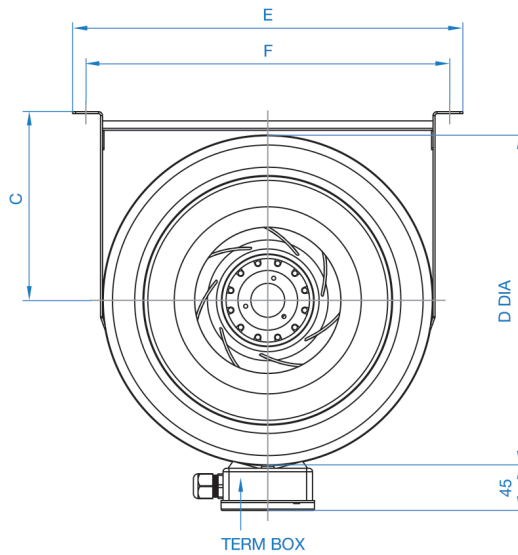
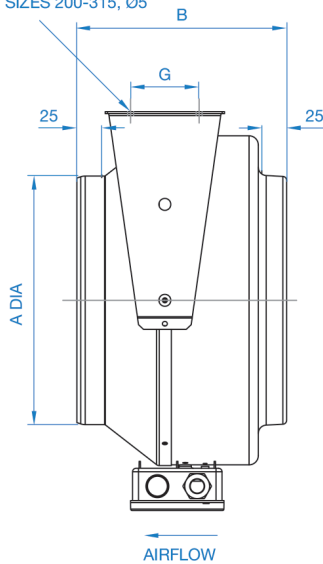


Dimensional Data

Single Phase

Product Code	Description	A	B	C	D	E	F	G	Weight kg
029-007580	HIT-100 (2018)	98	204	130	237	284	270	47	3.7
029-007578	HIT-125 (2018)	123	202	130	237	284	270	47	3.7
HIT-150	HIT-150 (2018)	148	195	165	278	326	312	47	3.6
029-007414	HIT-160 (2018)	158	195	165	278	326	312	47	3.6
029-007133	HIT-200 (2018)	198	242	190	333	392	372	100	5.5
029-007667	HIT-250 (2018)	248	210	190	333	392	372	100	5.3
029-007581	HIT-315 (2018)	313	280	227	400	460	440	100	8.8

2-HOLES IN EACH BRACKET
 SIZES 100-160, Ø4
 SIZES 200-315, Ø5



Dimensions are in mm.

REV2 01/05/2018

A	B	C*			D	E	F	G	H	I	J	K	L	N	O	P	Q	R	S
		C.1	C.2	C.3															
Elta Fans Ltd	029-007580 (HIT-100 2018)	NRVU	UVU	2018	Single Speed	None	n/a	0.031	0.025	n/a	4	105.4	n/a	13.5	<5	n/a	n/a	42	www.eltafans.com
Elta Fans Ltd	029-007578 (HIT-125 2018)	NRVU	UVU	2018	Single Speed	None	n/a	0.035	0.026	n/a	2.83	92.8	n/a	12.6	<5	n/a	n/a	43	www.eltafans.com
Elta Fans Ltd	HIT-150 (HIT-150 2018)	NRVU	UVU	2018	Multi-Speed	None	n/a	0.069	0.062	n/a	3.9	227.6	n/a	25.2	<5	n/a	n/a	52	www.eltafans.com
Elta Fans Ltd	029-007414 (HIT-160 2018)	NRVU	UVU	2018	Multi-Speed	None	n/a	0.079	0.055	n/a	3.91	235.4	n/a	33.6	<5	n/a	n/a	46	www.eltafans.com
Elta Fans Ltd	029-007133 (HIT-200 2018)	NRVU	UVU	2018	Multi-Speed	None	n/a	0.134	0.104	n/a	4.25	300	n/a	38.4	<5	n/a	n/a	46	www.eltafans.com
Elta Fans Ltd	029-00667 (HIT-250 2018)	NRVU	UVU	2018	Multi-Speed	None	n/a	0.133	0.105	n/a	2.7	279.8	n/a	35.3	<5	n/a	n/a	47	www.eltafans.com
Elta Fans Ltd	029-007581 (HIT-315 2018)	NRVU	UVU	2018	Multi-Speed	None	n/a	0.188	0.156	n/a	2.42	253.7	n/a	30.6	<5	n/a	n/a	46	www.eltafans.com

- A** Manufacturer's Name
- B** Model Identifier
- C.1** RVU or NRVU
- C.2** UVU or BVU
- C.3** ErP Compliance
- D** Type of Drive (MSD or VSD)
- E** Type of HRS (Run Around or Other or None)
- F** Thermal Efficiency (% or N/A)
- G** Nominal Flow Rate (m³/s)
- H** Effective electrical power input (kW)
- I** SFP int (W/m³/s)
- J** Face Velocity (m/s)
- K** Nominal External Pressure (Pa)
- L** Internal pressure drop of ventilation components (Pa)
- N** Static efficiency of fan used 327/2011
- O** Maximum external leakage rate (%)
- P** Energy Classification of filters
- Q** Description of visual filter warning
- R** Casing sound power level (LWA)
- S** Website for disassembly instructions

* Declared Typology C

JETFLOW HIT

Accessories



Single Phase

Product Code	Description	3 Speed Switch	Box Fan Flexible Connectors (each)	Damper	Electric Heater Battery	Fast Clamps (each)	Panel Filter
029-007580	HIT-100 (2018)	-	018-0100-FLEX	018-100-DAMPER	018-CV10-06-1M	018-100-CLAMP	018-0100-FILT-P
029-007578	HIT-125 (2018)	-	018-0125-FLEX	018-125-DAMPER	018-CV12-12-1M	018-125-CLAMP	018-0125-FILT-P
HIT-150	HIT-150 (2018)	149-MTS10	018-0150-FLEX	018-150-DAMPER	018-CV15-27-1M	018-150-CLAMP	018-0150-FILT-P
029-007414	HIT-160 (2018)	149-MTS10	018-0160-FLEX	018-160-DAMPER	018-CV16-21-1M	018-160-CLAMP	018-0160-FILT-P
029-007133	HIT-200 (2018)	149-MTS10	018-0200-FLEX	018-200-DAMPER	018-CV20-30-1M	018-200-CLAMP	018-0200-FILT-P
029-007667	HIT-250 (2018)	149-MTS10	018-0250-FLEX	018-250-DAMPER	018-CV25-30-1M	018-250-CLAMP	018-0250-FILT-P
029-007581	HIT-315 (2018)	149-MTS10	018-0315-FLEX	018-315-DAMPER	018-CV31-30-1M	018-315-CLAMP	018-0315-FILT-P

Product Code	Description	Spigot Silencer 300mm Long	Spigot Silencer 600mm Long	Spigot Silencer 900mm Long	Spigot Silencer 1200mm Long	Transformer Controller	Wiring Diagram
029-007580	HIT-100 (2018)	068-0100-JF1	068-0100-JF2	068-0100-JF3	068-0100-JF4	149-TC12	152-549
029-007578	HIT-125 (2018)	068-0125-JF1	068-0125-JF2	068-0125-JF3	068-0125-JF4	149-TC12	152-549
HIT-150	HIT-150 (2018)	068-0150-JF1	068-0150-JF2	068-0150-JF3	068-0150-JF4	-	152-529
029-007414	HIT-160 (2018)	068-0160-JF1	068-0160-JF2	068-0160-JF3	068-0160-JF4	-	152-529
029-007133	HIT-200 (2018)	068-0200-JF1	068-0200-JF2	068-0200-JF3	068-0200-JF4	-	152-529
029-007667	HIT-250 (2018)	068-0250-JF1	068-0250-JF2	068-0250-JF3	068-0250-JF4	-	152-529
029-007581	HIT-315 (2018)	068-0315-JF1	068-0315-JF2	068-0315-JF3	068-0315-JF4	-	152-529

3 SPEED SWITCH

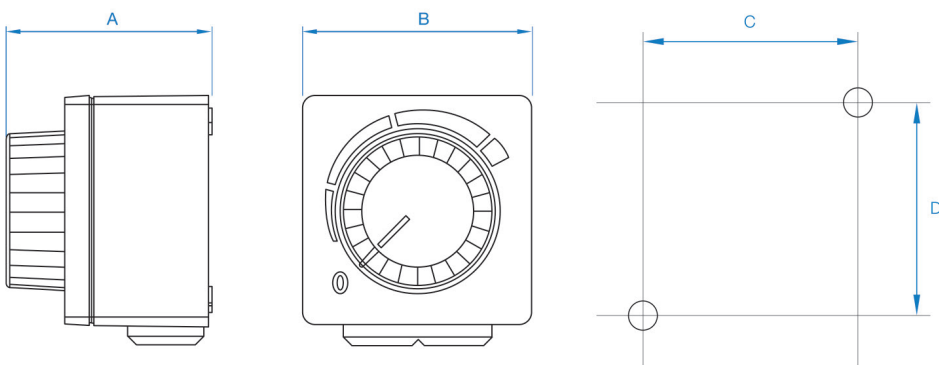
Accessories

- 3 step switch MTS
- Surface and flush mounting
- Maximum ambient temperature 50°C
- VDE
- Protection class IP44



Single Phase 220V to 240V / 50Hz or 60Hz

Product Code	ID	A	B	C	D	Weight kg
MTS10	128145	74	83	66.5	66.5	0.2



	U_{max}	Hz	I_{max}	P_{max}
CE	250V~	50Hz	4A	-
RU	120V~ 240V	60Hz 60Hz	-	1hp 2hp

Legend

- I_{max} Maximum operating current
 U_{max} Maximum Voltage
 P_{max} Maximum power

Dimensions are in mm.

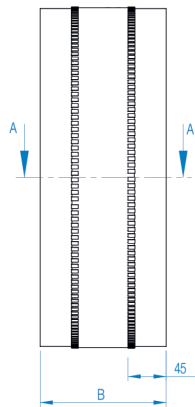
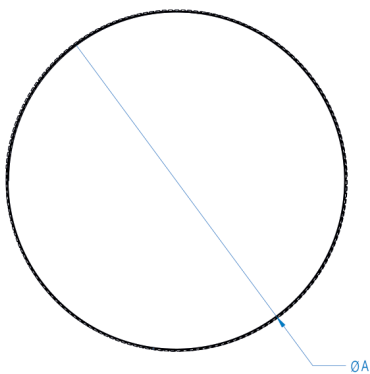
BOX FAN FLEXIBLE CONNECTOR

Accessories

- Fix directly on to spigot
- Provides flexible connection between fan and accessory or duct
- PVC coated polyester with galvanised sheet steel



Product Code	Fan Dia. A	B	Weight kg
018-0100-FLEX	100	150	0.2
018-0125-FLEX	125	150	0.2
018-0150-FLEX	150	150	0.2
018-0160-FLEX	160	150	0.2
018-0200-FLEX	200	150	0.3
018-0250-FLEX	250	150	0.4
018-0315-FLEX	315	150	0.5



Dimensions are in mm.

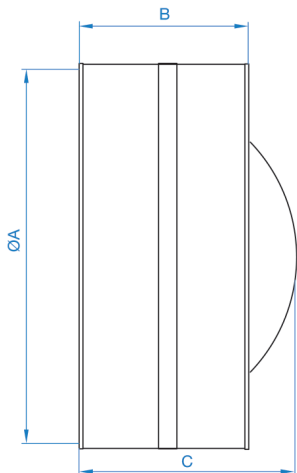
DAMPER

Accessories

- Prevents reverse flow of air when fan is not operating
- Galvanised sheet steel case
- Spring operated aluminium sheet blades



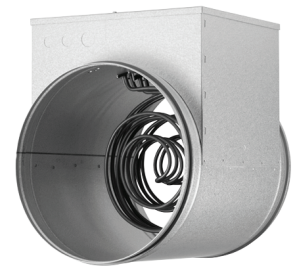
Product Code	Fan Dia. A	B	C	Weight kg
018-100-DAMPER	100	90	100	0.2
018-125-DAMPER	125	90	100	0.3
018-150-DAMPER	150	90	110	0.3
018-160-DAMPER	160	90	110	0.3
018-200-DAMPER	200	125	150	0.6
018-250-DAMPER	250	125	190	0.6
018-315-DAMPER	315	125	210	1.3



Dimensions are in mm.

ELECTRIC HEATER BATTERY

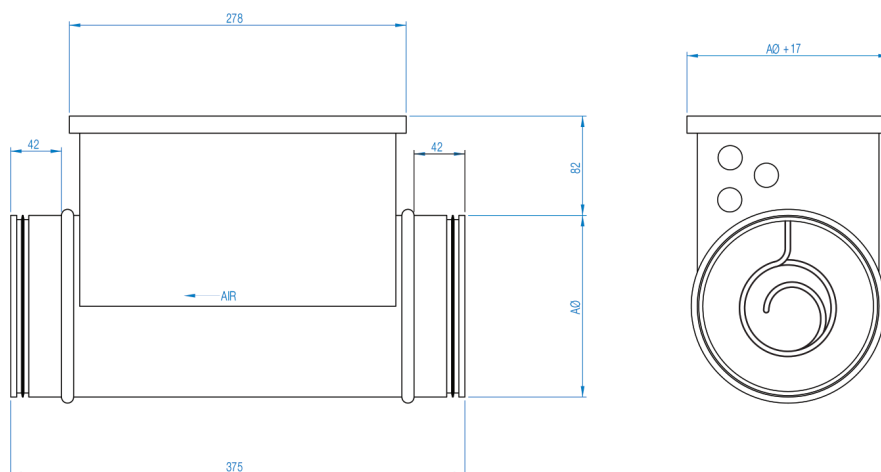
Accessories



Type

CV – (E/M) duct heater with casing of Aluzinc-coated sheet steel and stainless steel heater element to EN 1.4301. The duct heaters conform to air tightness class C to EN 15727. Control takes place by an external regulator and sensor that must be ordered separately.

Product Code	kW	Phase	Airflow @ m ³ /s		A	Weight kg
			Min	Max		
018-CV10-06-1M	0.6	1	0.012	0.046	100	2.3
018-CV12-12-1M	1.2	1	0.019	0.093	125	3.0
018-CV15-27-1M	2.7	1	0.031	0.208	150	4.2
018-CV16-21-1M	2.1	1	0.031	0.162	160	4.3
018-CV20-30-1M	3.0	1	0.047	0.231	200	5.9
018-CV25-30-1M	3.0	1	0.075	0.231	250	7.8
018-CV31-30-1M	3.0	1	0.115	0.231	315	8.3



Dimensions are in mm.

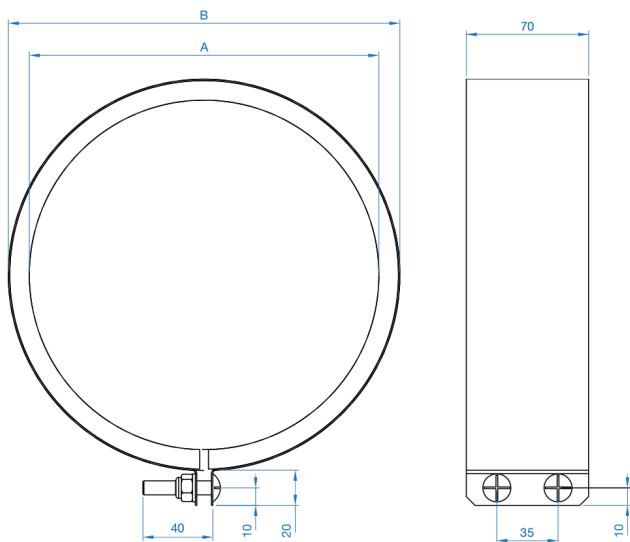
FAST CLAMPS

Accessories

- For quick connection of spigotted fans to circular duct or accessories
- Galvanised steel circular duct clamp with foam lining



Product Code	Fan Size	A Dia.	B Dia.	Weight kg
018-100-CLAMP	100	100	124	0.25
018-125-CLAMP	125	125	149	0.29
018-150-CLAMP	150	150	174	0.33
018-160-CLAMP	160	160	184	0.35
018-200-CLAMP	200	200	224	0.42
018-250-CLAMP	250	250	274	0.49
018-315-CLAMP	315	315	339	0.59



Dimensions are in mm.

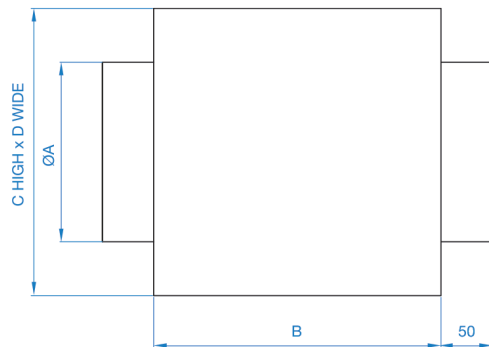
PANEL FILTER

Accessories

- Galvanised steel casing
- Filter media to BS EN 779 rating G2 with 85% arrestance
- Filter access with removable panel



Product Code	Fan Dia. A	B	C	D	Weight kg
018-0100-FILT-P	100	155	200	200	2
018-0125-FILT-P	125	155	200	200	2
018-0150-FILT-P	150	155	250	250	2
018-0160-FILT-P	160	155	250	250	2
018-0200-FILT-P	200	155	250	250	2
018-0250-FILT-P	250	200	300	300	3
018-0315-FILT-P	315	300	440	440	8



Dimensions are in mm.

SPIGOT SILENCER

Accessories

- Small metric range of attenuators with spigot connection
- Ideal for small fans
- Ideal for cross talk elimination
- Ideal for flexible or spiral ducting



Construction

Both types are rigidly constructed in galvanised sheet steel, with a highly absorbent sound attenuating lining between the outer casing and the inner perforated steel lining. The end faces of the silencer do not have threaded holes for fixings, but has a steel spigot for ease of mounting.

Melinex lined silencers must be used to prevent grease impregnation into the acoustic media for kitchen extract applications as prescribed in DW/172 HVAC Specification For Kitchen Ventilation Systems. For Melinex insertion losses, please contact Elta Fans. Silencers can be provided with differing lengths: 300, 600, 900 and 1200mm.

Silencer Attenuation

To determine the sound level of a fan fitted with a silencer, the dynamic insertion loss should be subtracted from the sound power level spectrum (dBW) of the fan. This should be done for the entire octave band mid-frequency spectrum. The fan dBW ratings and silencer attenuation apply equally to in duct applications, with a silencer connected between the fan and the duct system.

Dynamic Insertion Loss

The silencer attenuation is defined as the “dynamic insertion loss”. The values quoted in the tables represent the difference between the sound power level of a fan and silencer combination (dBW) and that of the fan alone (dBW). The dynamic insertion losses shown are the attenuations recorded under ideal working conditions. The achieved attenuation will vary according to the air velocity and flow pattern in the airways. Noise regeneration can occur at higher velocities, especially in EP silencers.

Square / Rectangular Silencers

In highly noise sensitive areas, where the circular silencers cannot achieve the necessary attenuation levels, Elta Fans can design and build optional splitter silencers for greater effect.

SPIGOT SILENCER

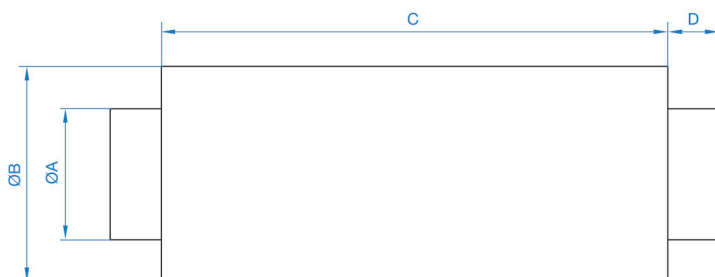
Dynamic Insertion Loss

Product Code	Length	Insertion Loss @ Octave band (Hz)							
		63	125	250	500	1K	2K	4K	8K
068-0100-JF1	300mm	-3	-4	-9	-17	-23	-26	-25	-14
068-0100-JF2	600mm	-5	-8	-15	-33	-39	-40	-36	-20
068-0100-JF3	900mm	-10	-13	-21	-40	-45	-40	-36	-24
068-0100-JF4	1200mm	-12	-15	-23	-42	-47	-42	-38	-26
068-0125-JF1	300mm	-3	-3	-8	-16	-21	-24	-22	-12
068-0125-JF2	600mm	-4	-8	-13	-30	-35	-35	-31	-15
068-0125-JF3	900mm	-9	-12	-18	-37	-41	-38	-34	-20
068-0125-JF4	1200mm	-11	-15	-21	-40	-46	-41	-36	-23
068-0150-JF1	300mm	-3	-3	-6	-14	-19	-23	-22	-11
068-0150-JF2	600mm	-4	-7	-12	-23	-30	-36	-31	-15
068-0150-JF3	900mm	-8	-9	-15	-31	-37	-37	-34	-18
068-0150-JF4	1200mm	-10	-14	-17	-34	-41	-40	-36	-20
068-0160-JF1	300mm	-3	-3	-6	-14	-19	-23	-22	-11
068-0160-JF2	600mm	-4	-7	-12	-23	-29	-35	-30	-15
068-0160-JF3	900mm	-8	-9	-15	-31	-37	-37	-34	-18
068-0160-JF4	1200mm	-10	-14	-18	-33	-40	-39	-35	-18
068-0200-JF1	300mm	-2	-3	-6	-13	-17	-20	-18	-9
068-0200-JF2	600mm	-4	-6	-10	-20	-27	-32	-20	-11
068-0200-JF3	900mm	-7	-9	-14	-32	-39	-36	-26	-15
068-0200-JF4	1200mm	-10	-12	-17	-35	-41	-44	-28	-16
068-0250-JF1	300mm	-2	-3	-6	-12	-16	-19	-17	-8
068-0250-JF2	600mm	-3	-6	-10	-19	-25	-29	-18	-10
068-0250-JF3	900mm	-5	-8	-12	-24	-30	-30	-22	-14
068-0250-JF4	1200mm	-7	-10	-15	-31	-37	-38	-26	-15
068-0315-JF1	300mm	-1	-3	-6	-12	-15	-18	-16	-8
068-0315-JF2	600mm	-3	-5	-8	-16	-21	-22	-16	-14
068-0315-JF3	900mm	-4	-7	-10	-20	-31	-28	-17	-14
068-0315-JF4	1200mm	-6	-9	-14	-23	-32	-32	-18	-15

SPIGOT SILENCER

Dimensional Data

Product Code	Fan Dia.	A	B	C	D	Weight kg
068-0100-JF1	100	98	204	300	40	2.5
068-0100-JF2	100	98	204	600	40	4.6
068-0100-JF3	100	98	204	900	40	6.7
068-0100-JF4	100	98	204	1200	40	8.7
068-0125-JF1	125	123	230	300	40	2.9
068-0125-JF2	125	123	230	600	40	5.4
068-0125-JF3	125	123	230	900	40	7.8
068-0125-JF4	125	123	230	900	40	10.2
068-0150-JF1	150	148	255	300	40	3.4
068-0150-JF2	150	148	255	600	40	6.1
068-0150-JF3	150	148	255	900	40	8.9
068-0150-JF4	150	148	255	1200	40	11.6
068-0160-JF1	160	158	265	300	40	3.5
068-0160-JF2	160	158	265	600	40	6.4
068-0160-JF3	160	158	265	900	40	9.3
068-0160-JF4	160	158	265	1200	40	12.2
068-0200-JF1	200	198	305	300	40	4.2
068-0200-JF2	200	198	305	600	40	7.6
068-0200-JF3	200	198	305	900	40	11.0
068-0200-JF4	200	198	305	1200	40	14.5
068-0250-JF1	250	248	355	300	40	5.0
068-0250-JF2	250	248	355	600	40	9.1
068-0250-JF3	250	248	355	900	40	13.2
068-0250-JF4	250	248	355	1200	40	17.3
068-0315-JF1	315	313	420	300	40	6.1
068-0315-JF2	315	313	420	600	40	11.1
068-0315-JF3	315	313	420	900	40	16.1
068-0315-JF4	315	313	420	1200	40	21.0



Dimensions are in mm.

TRANSFORMER CONTROLLER

Accessories

- IP40 enclosure
- Five speed stepped control
- Illuminated on/off switch (single phase units only)
- Fitted Motor Protection type D MCB (single phase units only)
- Suitable for operating temperatures up to 40°C
- Ideal for environments where noise is a primary consideration as these controls do not create magnetic hum associated with some step-less forms of speed control

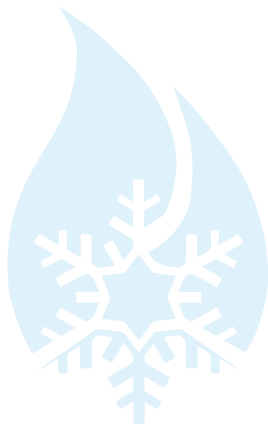


Features & Benefits

A range of transformer voltage controllers used to provide five speed step control of single phase or three phase motors where the peak current of the motor does not exceed the rating of the controller. Speed control is via selector switch. Single phase units are complete with illuminated on/off switch.

Single Phase 220V to 240V / 50Hz

Product Code	Max Peak Current Amps	Weight kg	IP Rating
149-TC12	2	3	IP40



DUCT-IN

Duct-IN has a policy of continuous product development and improvement and therefore reserves the right to supply products which may differ from those illustrated and described in this publication. Confirmation of dimensions and data will be supplied on request.



DUCT-IN

HVAC SOLUTIONS SUPPLIER

SALES@DUCTIN.CO.UK 0115 678 0094 WWW.DUCTIN.CO.UK