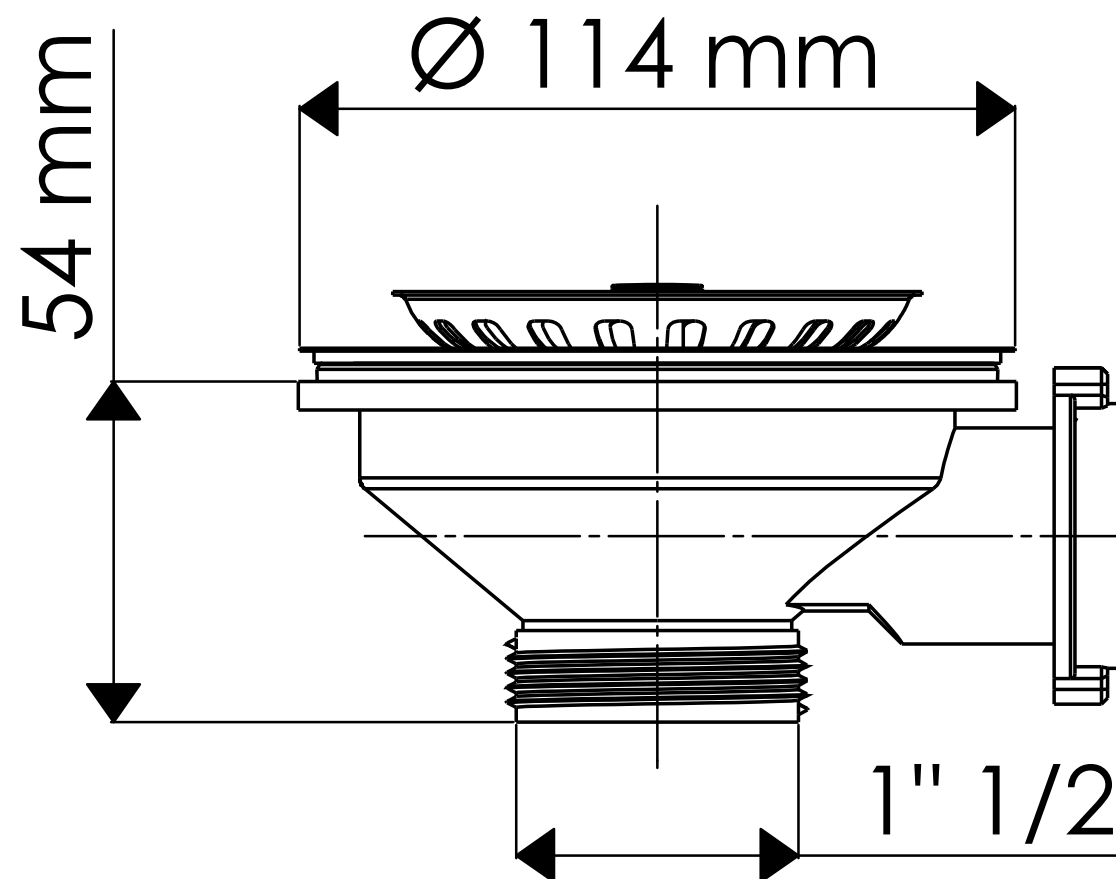
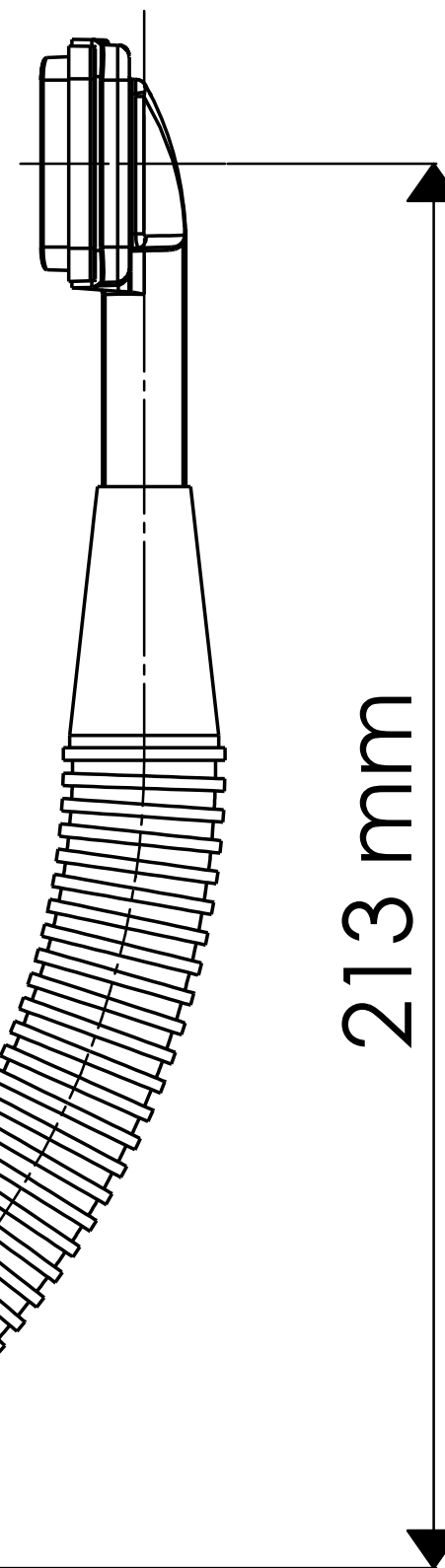
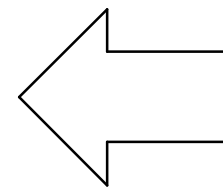
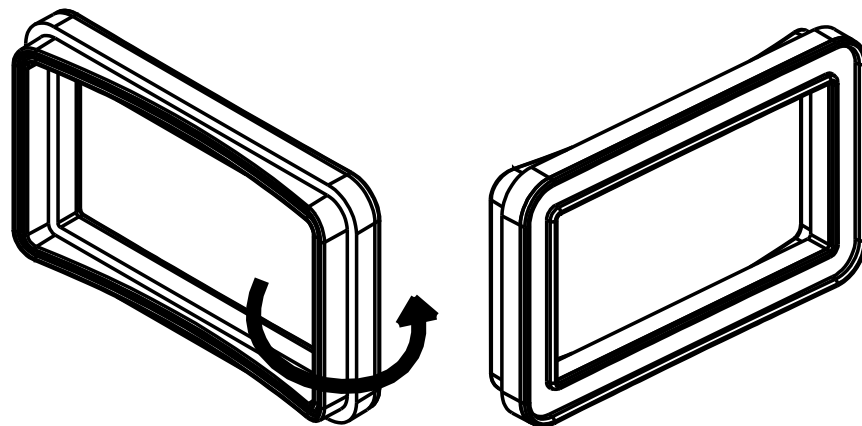


DOUBLE FACE



L = 330 mm

