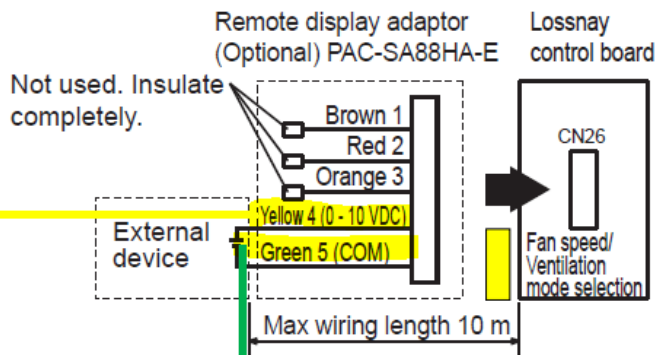




Technical Bulletin



Connecting Co2 Sensor to Mitsubishi Lossnay

Please Note: You will require a 24v DC 1 AMP power supply.

RS Stock No. 745-7995

DUCT-IN LTD
sales@ductin.co.uk
www.ductin.co.uk

